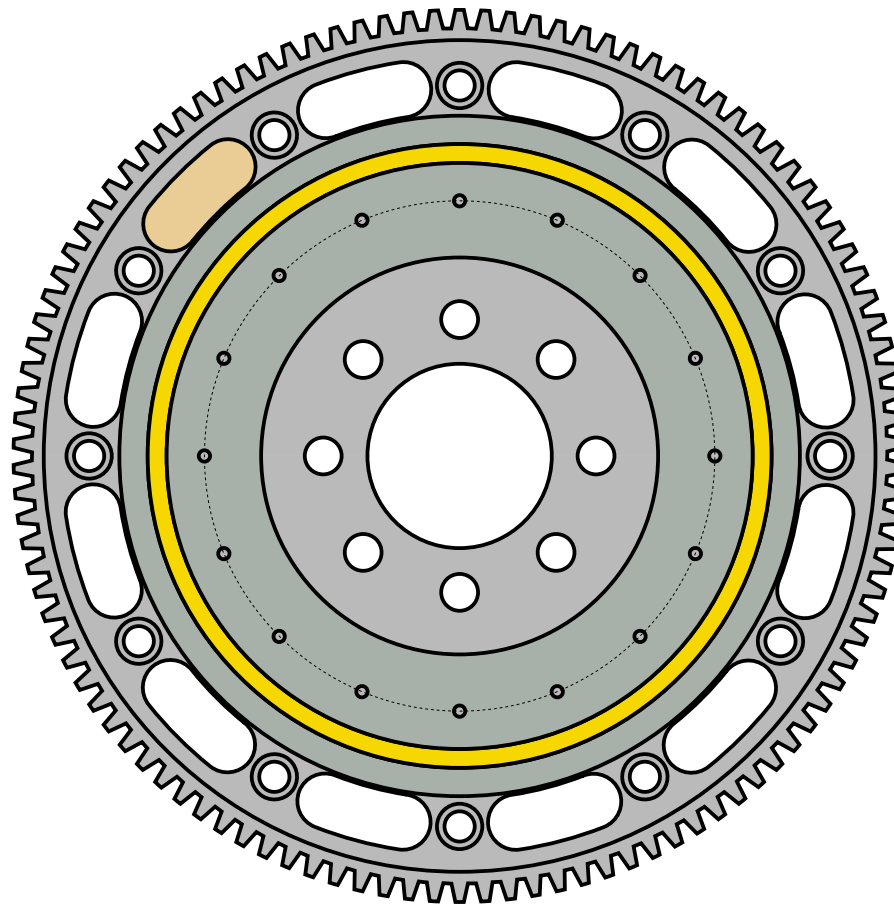
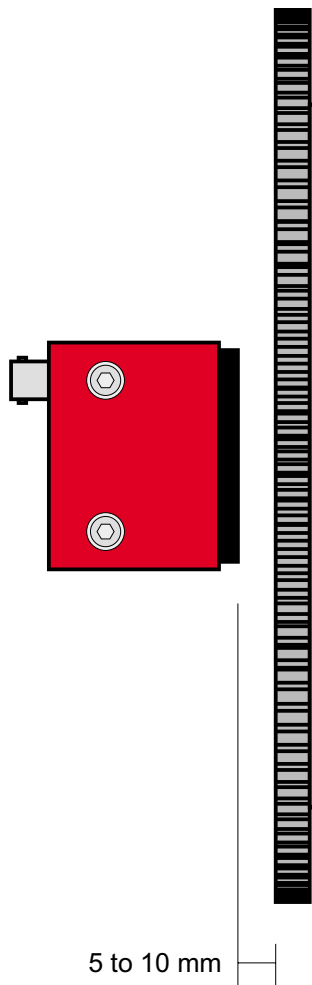


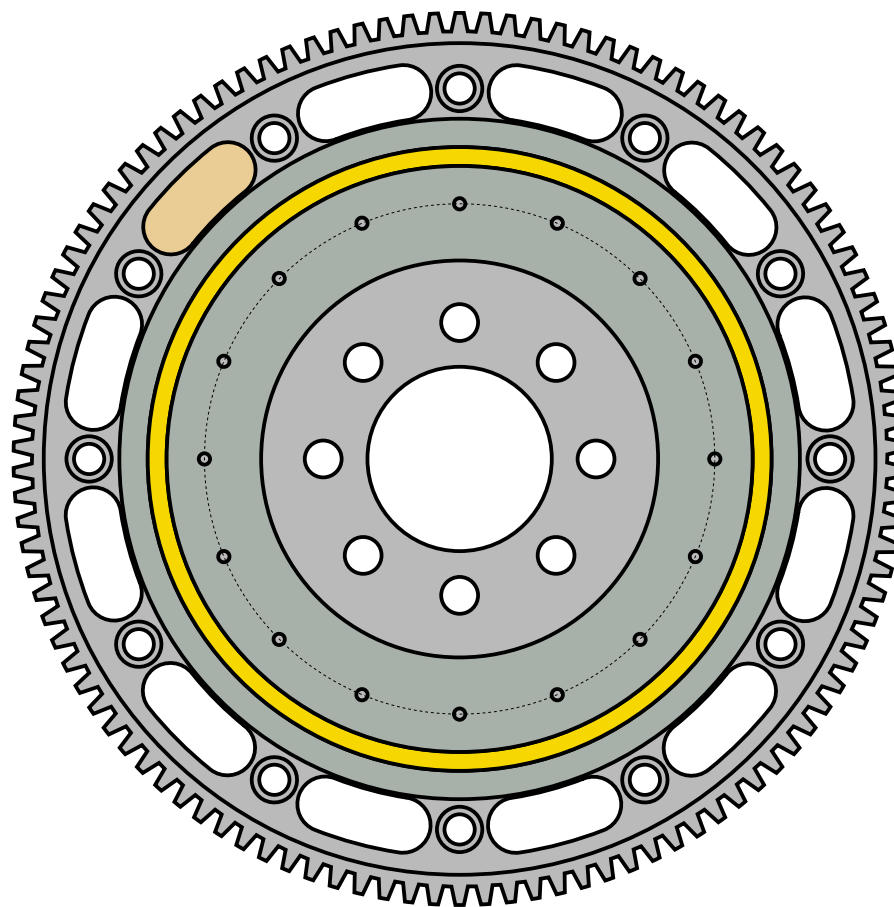
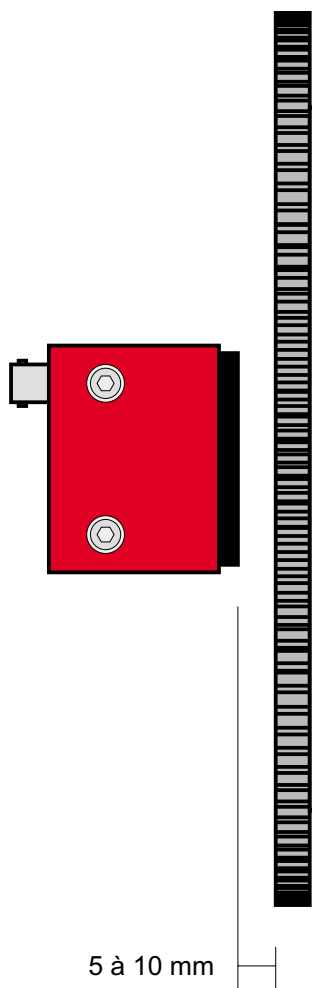
Embrayage "WRC 2003"



I+ white
Cal green
I- black
U_B red
GND blue

R_v = 3,9kΩ
R_{Cal} = 360kΩ

Citroën WRC 2003



I+ blanc
Cal vert
I- noir
U_B rouge
GND bleu

R_v = 3,9kΩ
R_{Cal} = 360kΩ